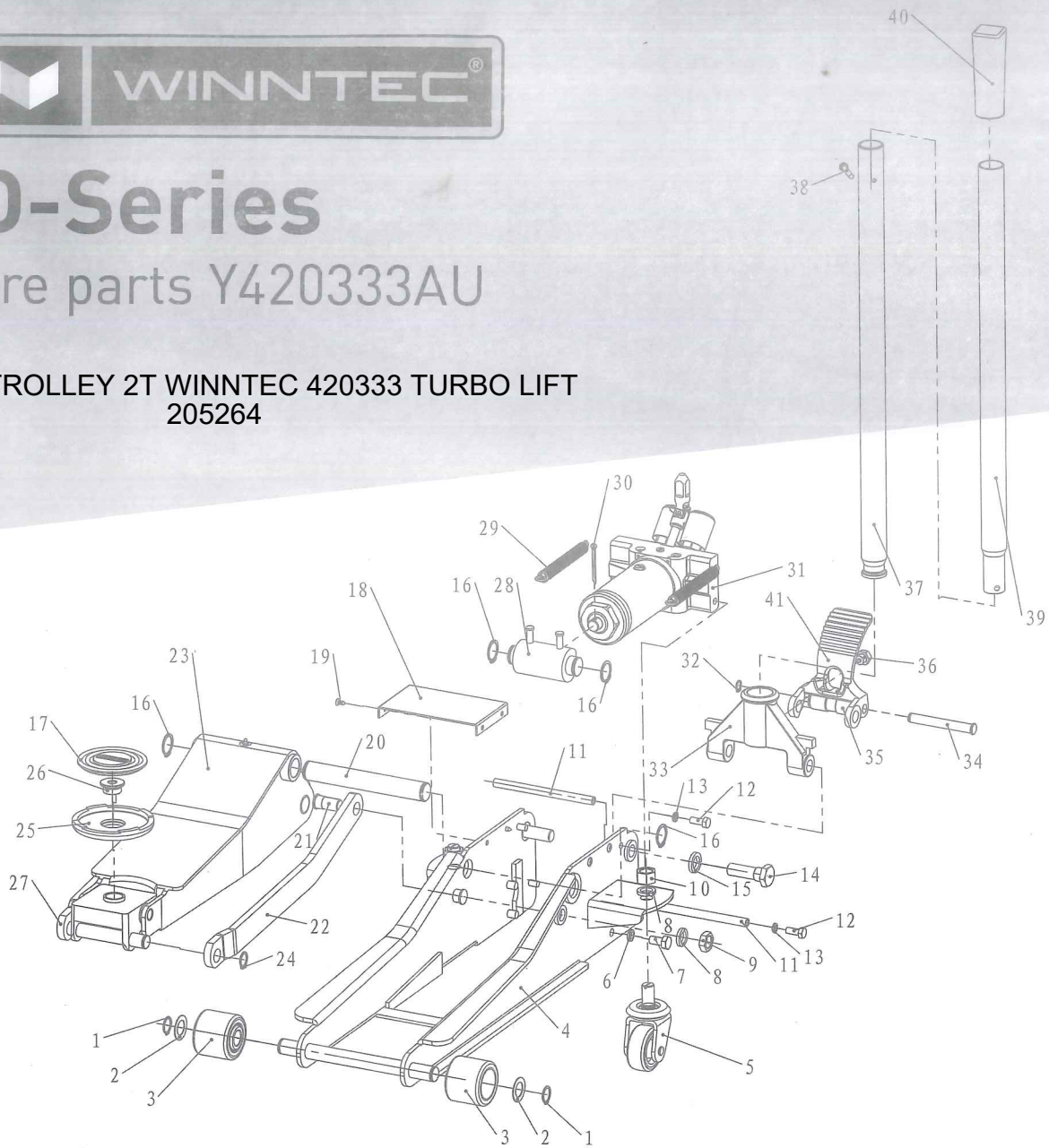




HD-Series

Spare parts Y420333AU

JACK TROLLEY 2T WINNTEC 420333 TURBO LIFT
205264



ART NR	DESCRIPTION	QTY	ART NR	DESCRIPTION	QTY
Y420333-1	RAM	1	Y420333-22	LEFT LONG LINKAGE	1
Y420333-2	WASHER	2	Y420333-23	LIFT ARM ASSY	1
Y420333-3	FRONT WHEEL	2	Y420333-24	RETANING RING 18	2
Y420333-4	SIDE PLAT ASSY	1	Y420333-25	SADDLE	1
Y420333-5	REAR CAST	2	Y420333-26	SCREW	1
Y420333-6	SPRING WASHER 10	4	Y420333-27	RIGHT LONG LINKAGE	1
Y420333-7	SCREW M10X20	4	Y420333-28	BLOCK LINKAGE	1
Y420333-8	RING WASHER 16	4	Y420333-29	SPRING	2
Y420333-9	NUT M16	2	Y420333-30	SPLIT PIN 4X45	1
Y420333-10	NUT M16	2	Y420333-31	POWER UNIT	1
Y420333-11	PULL ROD	2	Y420333-32	RETANING RING 12	1
Y420333-12	BOLT M8X20	4	Y420333-33	HANDLE SOCKET	1
Y420333-13	SPRING WASHER 8	4	Y420333-34	SPINDLE	1
Y420333-14	BOLT	2	Y420333-35	ROLLER	1
Y420333-15	SPRING WASHER 18	2	Y420333-36	HANDLE BOLT	1
Y420333-16	RETANING RING 25	4	Y420333-37	HANDLE LOWER	1
Y420333-17	RUBBER PAD	1	Y420333-38	BOLT M6X35	1
Y420333-18	PLATE	1	Y420333-39	HANDLE UPPER	1
Y420333-19	SCREW ST4.8X13	4	Y420333-40	HANDLE COVER	1
Y420333-20	SHAFT	1	Y420333-41	PEDAL	1
Y420333-21	BOLT	2			

Importer

REMA TIP TOP Australia Pty.Ltd. | SYDNEY3/20 Worth Street | 2190 Chullora, NSW | Tel.: +61 2 8755 8400 | info@rema-tiptop.com.au

TESTED AND CONFORMS WITH AUSTRALIAN STANDARDS AS NO. 2615-2016

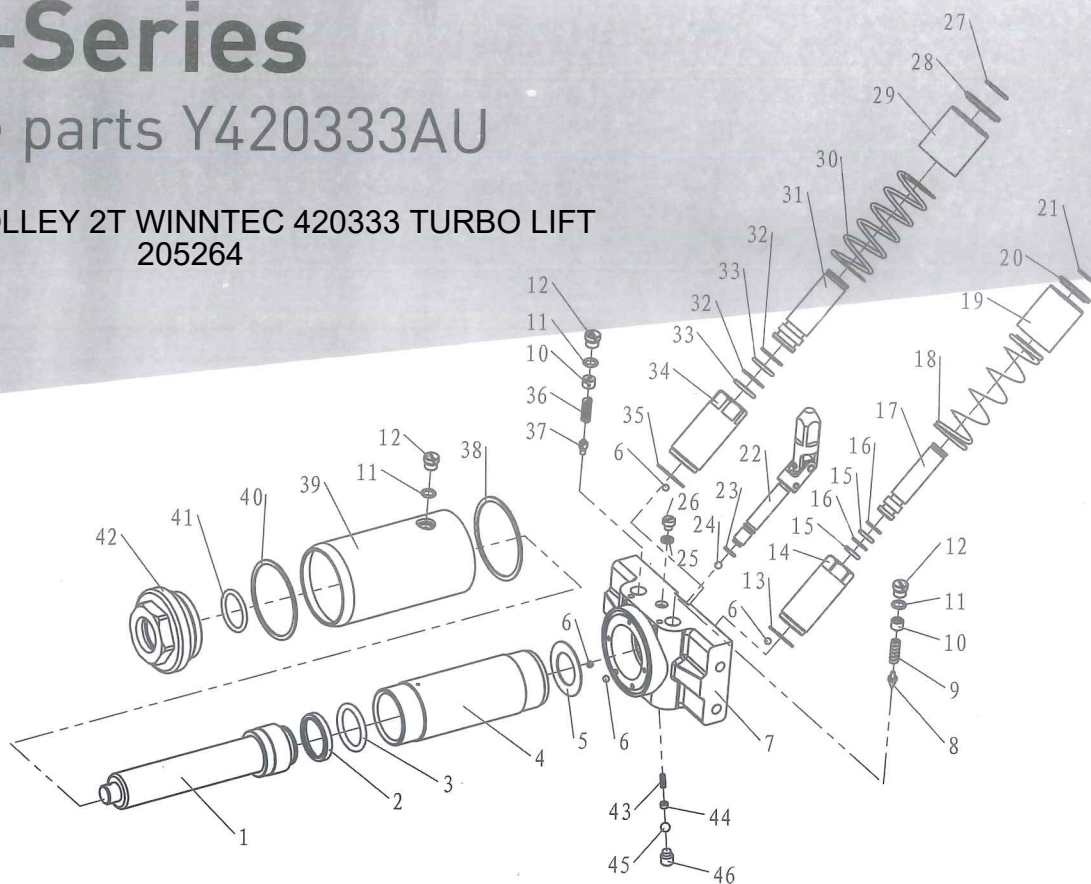
MADE IN CHINA



HD-Series

Spare parts Y420333AU

JACK TROLLEY 2T WINNTEC 420333 TURBO LIFT
205264



ART NR	DESCRIPTION	QTY	ART NR	DESCRIPTION	QTY
Y420333-PU1	RAM	1	Y420333-PU24	Ball	1
Y420333-PU2	O-Ring Returner	1	Y420333-PU25	Seal Washer	1
Y420333-PU3	O-Ring	1	Y420333-PU26	Screw	1
Y420333-PU4	Cylinder	1	Y420333-PU27	Ring	1
Y420333-PU6	Seal Washer	1	Y420333-PU28	Pump Cover	1
Y420333-PU6	Ball	4	Y420333-PU29	Sleeve	2
Y420333-PU7	Valve Base	1	Y420333-PU30	Spring	1
Y420333-PU8	Safety Valve	1	Y420333-PU31	Plunger For Speed	1
Y420333-PU9	Relief Valve Spring	1	Y420333-PU32	Backup For O-Ring	2
Y420333-PU10	Screw Adjusting	2	Y420333-PU33	O-Ring	2
Y420333-PU11	O-Ring	3	Y420333-PU34	PUMP CASE	1
Y420333-PU12	Screw	3	Y420333-PU35	Seal Washer	1
Y420333-PU13	Seal Washer	1	Y420333-PU36	Relief Valve Spring	1
Y420333-PU14	Pump Case	1	Y420333-PU37	Safety Valve	1
Y420333-PU15	O-Ring	2	Y420333-PU38	Seal Washer	1
Y420333-PU16	Backup For O-Ring	2	Y420333-PU39	Cylinder Outer Case	1
Y420333-PU17	Plunger For Work	1	Y420333-PU40	Seal Washer	1
Y420333-PU18	Spring	1	Y420333-PU41	O-Ring	1
Y420333-PU19	Sleeve	1	Y420333-PU42	Tank Nut	1
Y420333-PU20	Pump Cover	1	Y420333-PU43	Spring	1
Y420333-PU21	Ring	1	Y420333-PU44	Throttle valve	1
Y420333-PU22	Release Valve	1	Y420333-PU45	Ball	1
Y420333-PU23	O-Ring	1	Y420333-PU46	Screw	1

Importer

REMA TIP TOP Australia Pty.Ltd. | SYDNEY3/20 Worth Street | 2190 Chullora, NSW | Tel.: +61 2 8755 8400 | info@rema-tiptop.com.au

TESTED AND CONFORMS WITH AUSTRALIAN STANDARDS AS NO. 2615-2016

MADE IN CHINA