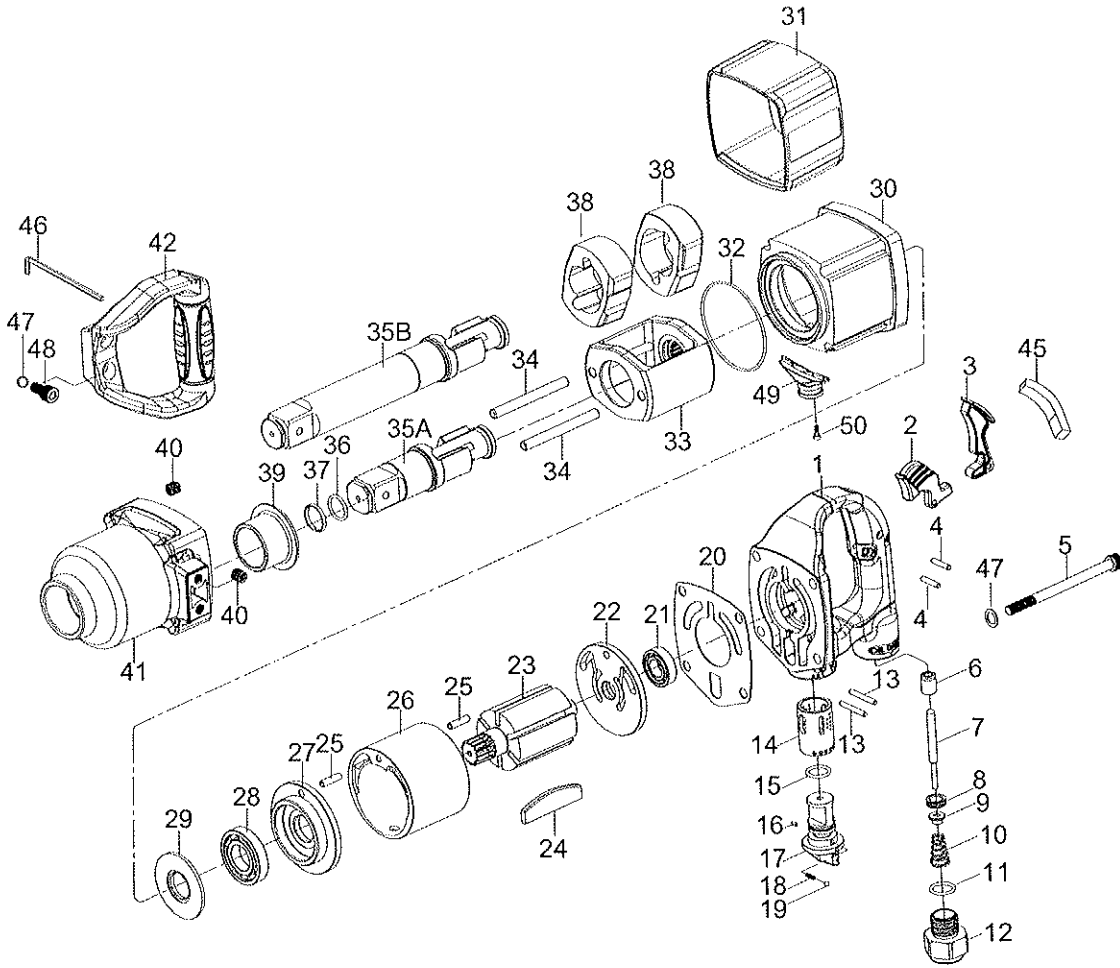


# KI-1838A / KI-1838A-6 1" SQ. DR. SUPER DUTY IMPACT WRENCH



## KI-1838A / KI-1838A-6

INDEX NO.	DESCRIPTION	REQ'D NO.
★1	Backhead Assembly (incl. 6.14)	1
2	Inside Trigger (Option)	1
3	Outside Trigger (Option)	1
4	Pin	2
5	Screw	4
●6	Bushing	1
7	Throttle Valve Plunger	1
8	Throttle Valve Seal	1
9	Throttle Valve	1
10	Spring	1
11	O-Ring	1
12	Air Inlet	1
13	Pin	2
●14	Reverse Valve Bushing	1
15	O-Ring	1
16	Pin	2
17	Reverse Valve	1
18	Spring	1
19	Steel Ball	1
20	Gasket	1
●21	Bearing	1
★22	End Plate Assembly (incl. 21)	1
23	Rotor	1
24	Rotor Blade	6
25	Pin	2

INDEX NO.	DESCRIPTION	REQ'D NO.
26	Cylinder	1
27	End Plate	1
28	Bearing	1
29	Washer	1
30	Housing	1
31	Rubber Grip	1
32	O-Ring	1
33	Hammer Frame	1
34	Hammer Pin	2
35A	Standard Anvil ( for KI-1838A )	1
35B	6" Extended Anvil ( for KI-1838A-6 )	1
36	O-Ring	1
37	Socket Retainer	1
38	Hammer	2
●39	Bushing	1
●40	Helix-Coil	6
★41	Hammer Case Assembly (incl. 39,40)	1
42	Side Spade Handle	1
45	Rubber Cap ( for Inside Trigger )	1
46	Hex Key Wrench	1
47	Washer	6
48	Screw	2
49	Exhaust Deflector (Option)	1
50	Screw ( for Exhaust Deflecto )	2
TK	Tune-Up Kit (incl. 10,11,15,18,19,20,21,24 ( 6 ),28,32,36,37)	

★ Must be Purchased in Assembly Set  
 ● Recommended not to be purchased alone due to asser